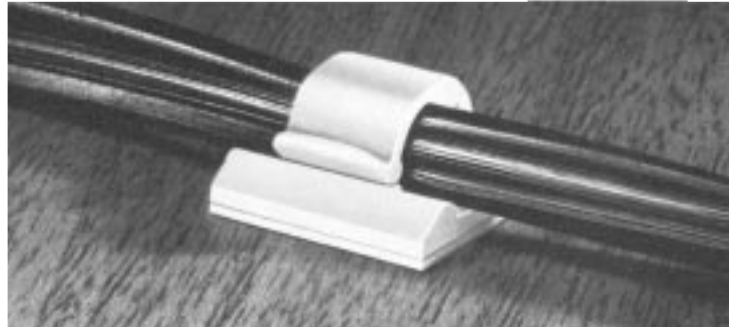







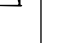




ADHESIVE BACKED CORD CLIPS

Fastest, most efficient way available to organize wire, cords and cables. Just remove clips off adhesive strip of two and stick into place. Save 60 percent time over other methods. UL recognized nylon clips adhere to any smooth, clean, hard surface including wood, plastic and metal. Wires, cords or cables slip in or out easily, yet are retained securely. Smooth, rounded corners and edges protect wires and installers' hands. High adhesion, aggressive rubber-based adhesive. Works in a service temperature range 0°F-120°F continuous.



 UL File Number E53159
(not all cord clips are UL Recognized)

| PART NO. 8511-28-00** | PART NO. 8511-29-00** | PART NO. 8511-30-00 | PART NO. 8511-31-00** | PART NO. 8511-34-00 | PART NO. 8511-36-00 |
|---|---|---|--|------------------------|------------------------|
| | | | | | |
|  |  |  |  | | |
| STYLE NO. C1 | STYLE NO. C2 | STYLE NO. C2A | STYLE NO. C3A | STYLE NO. C5 | STYLE NO. C6 |
| .156 BUNDLE DIAMETER* | .375 BUNDLE DIAMETER* | .375 DIAMETER* | .625 BUNDLE DIAMETER* | .450 DIAMETER* | .375 DIAMETER* |

| PART NO. 8511-37-00 | PART NO. 8511-38-00 | PART NO. 8511-54-00 | PART NO. 8511-55-00 | PART NO. 8511-55-01† | PART NO. 8511-56-00 | PART NO. 8511-46-00 |
|---|--------------------------|--------------------------|---|---|---|---|
| | | | | | | |
|  | | |  |  |  |  |
| STYLE NO. C8 | STYLE NO. C9 | STYLE NO. C10 | STYLE NO. C11 | STYLE NO. C11 | STYLE NO. C13 | STYLE NO. C40 |
| .250 BUNDLE DIAMETER* | .625 BUNDLE DIAMETER* | .156 BUNDLE DIAMETER* | .620 BUNDLE DIAMETER* | 1.000 BUNDLE DIAMETER* | COUNTERSUNK HOLE ACCOMMODATES OPTIONAL NO. 6 SCREW | |

*Approximate maximum bundle diameter.

**Available in black

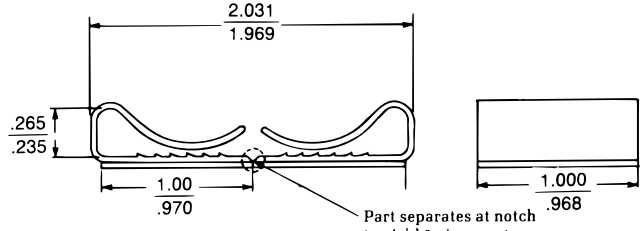
†Available as single parts only. All others supplied two pieces per adhesive backed strip.

Contact Fastex for material specifications.

NOTE: Dimensions listed are nominal.

ADHESIVE BACKED FLAT WIRE CLIPS

NOTE: Part not UL recognized.
NOTE: Tape may extend beyond edge of part.



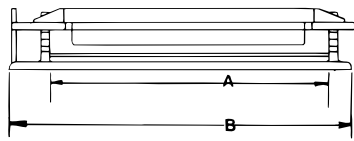
FLAT WIRE TWINCLIP™
PART NO. 8511-81-30-9909

NOTE: Dimensions listed are nominal.

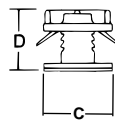
ADHESIVE BACKED FLAT CABLE CLIPS

| PART NUMBER | STYLE | A | B | C | D | MAXIMUM NO. OF CONDUCTORS | DESCRIPTION |
|-------------|-------|-------|-------|------|------|---------------------------|-------------|
| 8511-62-00 | C31 | 2.547 | 3.193 | .625 | .750 | 40 | CLAMP TYPE |
| 8511-67-00 | C34 | 2.040 | 2.426 | .625 | .495 | 40 | HINGED TYPE |

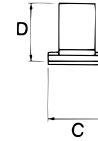
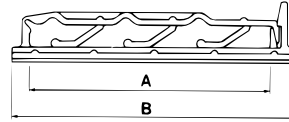
NOTE: 40 conductor width has 3 flexible fingers.
NOTE: Dimensions listed are nominal.



CLAMP TYPE



HINGED TYPE



ZOD22 March 2, 1994
Component - Wire-Positioning Devices

FASTEX, DIV OF ILLINOIS TOOL WORKS INC E53159 (N)
195 ALGONQUIN RD, DES PLAINES IL 60016

Wire routing clips, Type Nos. C1, C2, C4 to C11 incl., C13, C2A, C3A, C33, C34, C40 for use at temperatures not exceeding 85 C; Type Nos. C30, C31, C32, C42, C43, C44 for use at temperatures not exceeding 65 C. Type Nos. may or may not be followed by the suffix "H".

Wire routing clips, Type Nos. 220-120405-00#, -340802-00#, -352405-01#, 222-375040-00# for use at temperatures not exceeding 95 C.

#Type Nos. followed by a four digit suffix.

Marking: Company name and type designation on shipping cartons.

See General Information Preceding These Recognitions.

For use only in equipment where the acceptability of the combination is determined by Underwriters Laboratories Inc.

Reports: October 11, 1972; March 9, 1994.

Replaces E53159 dated September 4, 1992.

357863001

Underwriters Laboratories Inc.®

01/0006281

70