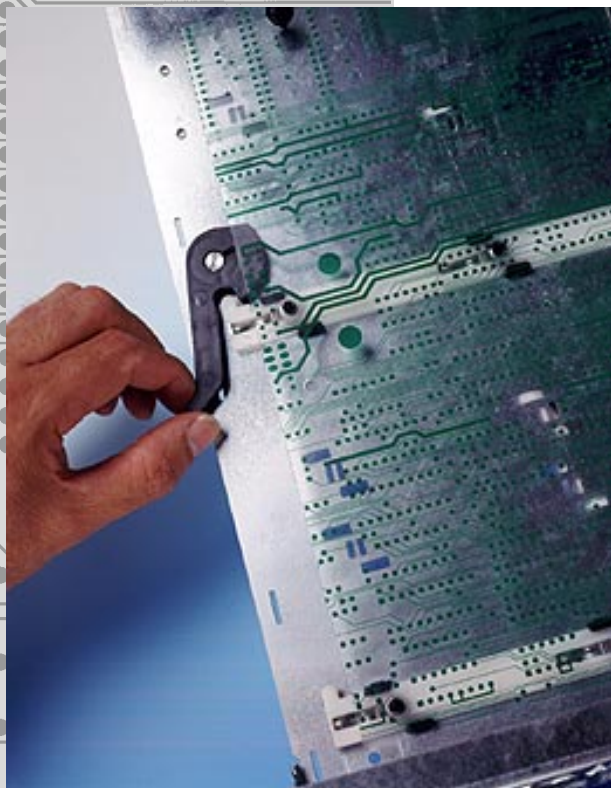


NLX Motherboard Rail System



ELECTRONIC SOLUTIONS!



In response to the industry trend of standardization of components and ease of servicing, Fastex has developed a fastening system which allows for quick and easy installation of dockable NLX motherboards. Working closely with leading computer manufacturers, Fastex has developed a proprietary rail system which incorporates an integral fastener and self-grounding feature.

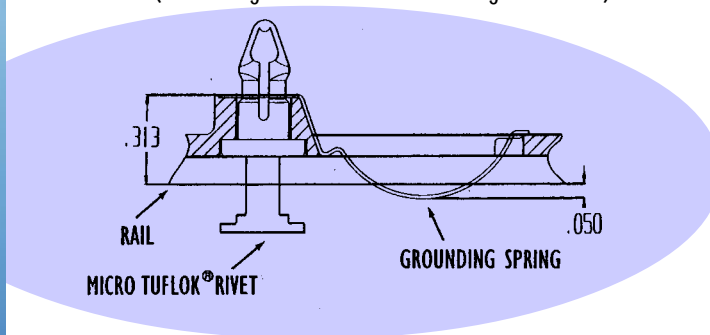
Additional features include rail guides which snap into the bottom of the chassis and help guide the rail and board assembly into place and an eject lever which easily releases the board from the riser card connector.

NLX Rail *Part Number: 8015-00-9909*

Features:

- No Screws required to fasten the rail to the motherboard, uses integral Fastex Micro Tuflok® Rivet;
- Integral grounding clip provides EMI grounding;
- Material: Nylon 66;
- Rail is removable and reusable;
- UL Flammability Rating: 94V-2; (Meets UL 1950 Standard for Enclosures);
- Meets NLX Specifications.

NLX Rail (With Integral Ground and Mounting Hardware)



Options:

Rail Guide *Part Number: 2005-00-2099*

Features:

- Guides rail assembly into place, making a proper connection to the riser card connector;
- Snaps into punched holes in the chassis - no tools required;
- Natural lubricity of the plastic allows for smooth travel of the rail in the guide's track;
- Material: Polycarbonate/ABS
- UL Flammability Rating 94V-2.

Eject Lever *Part Number: 2004-00*

Features:

- Lever pushes/pulls the board toward/away from the riser card connector for easy insertion/removal of the board;
- Attaches to the chassis with a shoulder screw;
- Material: Polycarbonate/ABS;
- UL Flammability Rating: 94V-0.

Eject Lever

NLX Rail

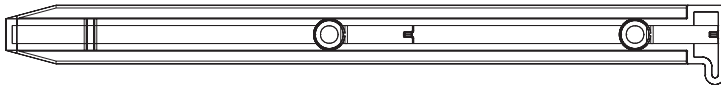
Rail Guide

Specifications on the NLX Form Factor can be downloaded as a pdf (~800k) file at <http://www.teleport.com/~nlx>



NLX RAIL

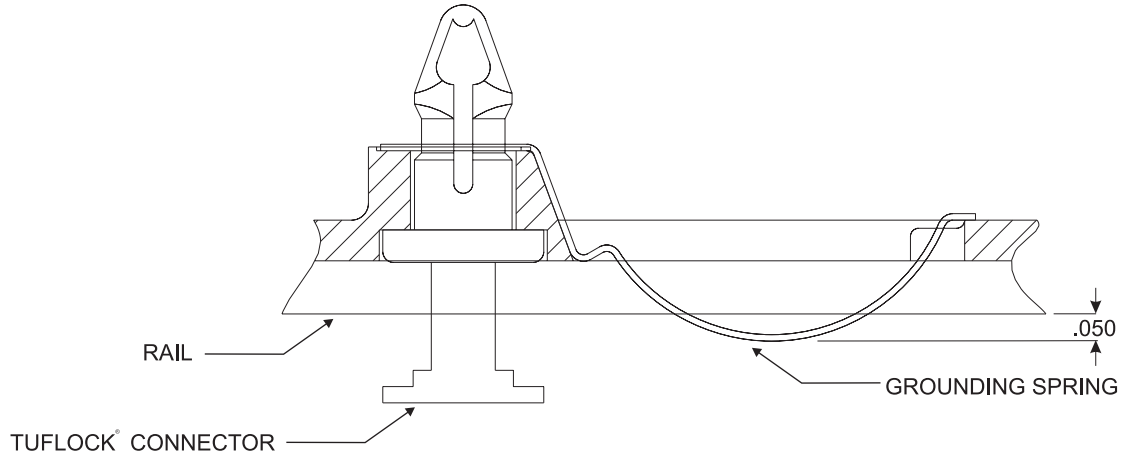
Part number 97-04-606 S



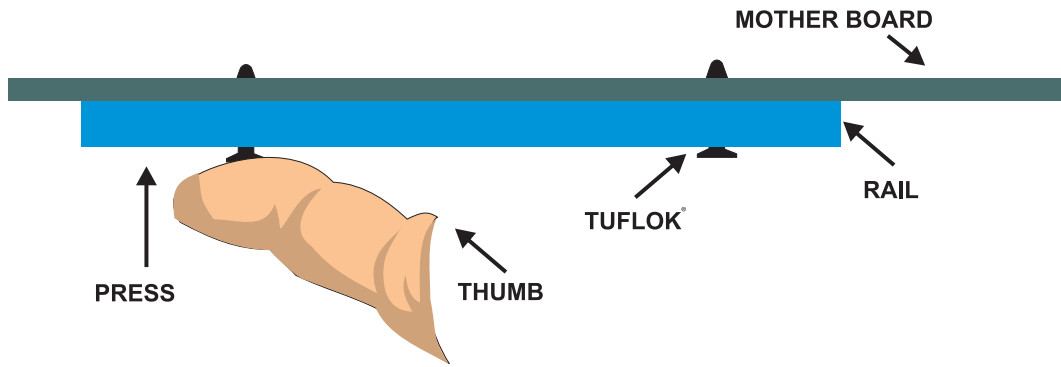
Features:

- Mounts to mother board using ITW Fastex Tuflok® Technology
- No screws required.
- Eliminates possible screw drive damage to Mother Board during Assembly.
- Integral grounding clips.
- Removable and Reinstallable.
- UL Rating 94V2.

NLX RAIL (WITH INTEGRAL GROUND AND MOUNTING HARDWARE)



INSTALLATION OF RAIL TO MOTHER BOARD



INSTALLATION OF RAIL GUIDE TO CHASSIS

